

india mahdavi

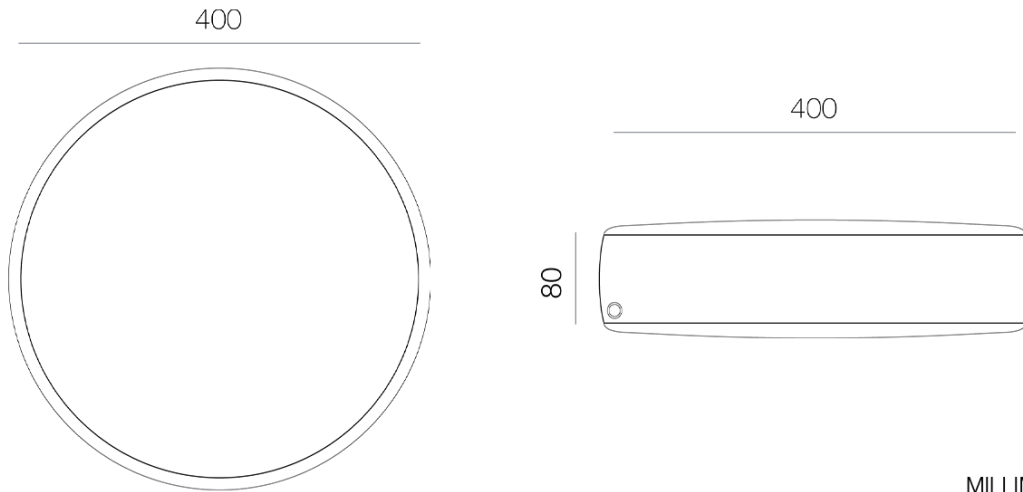
BONBON ROND
CUSHIONS
VELVET
D40 X H8 CM



© india mahdavi 2016

bonbon rond

DIMENSIONS



MILLIMETER

SPECIFICATION

- THE BONBON CUSHIONS ARE A REFERENCE TO CHILDREN'S/ CHILDHOOD'S LICORICE SWEETS THAT POSSESS A MESMERIZING GRAPHIC QUALITY.
- THE BONBON FAMILY OF CUSHIONS COMPRISES A ROUND, SQUARE, RECTANGULAR AND CYLINDRICAL (AMOUR) FORMAT TO CELEBRATE THE LIVELINESS AND JOY OF COLOUR. THE CHROMATIC AND GEOMETRIC PLAYS ON THE CUSHION'S FACETS MULTIPLY THE POSSIBLE WAYS TO COALESCE FORMS AND TINTS.
- THE FALSE PERSPECTIVE TEXTILES FROM THE «TRUE VELVET» (PIERRE FREY) COLLECTION ARE AVAILABLE FOR THE BONBON CUSHIONS.
- THE BONBON AND ECLIPSE CUSHIONS HAVE THE POWER TO LIFT A LIVING ROOM OR BEDROOM WITH A DAB OF COLOUR.
- PIERRE FREY (100% COTON) AND EDMOND PETIT (80% COTON 10% POLYESTER 10% MODAL) FABRICS.
- MADE IN FRANCE

CARE INSTRUCTIONS

- CUSHION COVERS SHOULD BE WASHED DRY ONLY, WITH A DRYING TEMPERATURE OF LESS THAN 40°C.
- TURN AND TAP THE CUSHIONS REGULARLY TO MAINTAIN THEIR SHAPE.